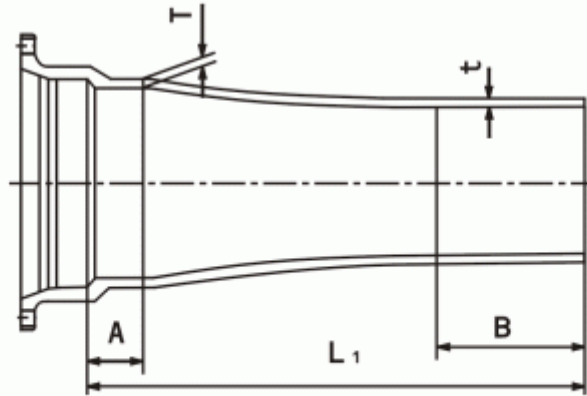
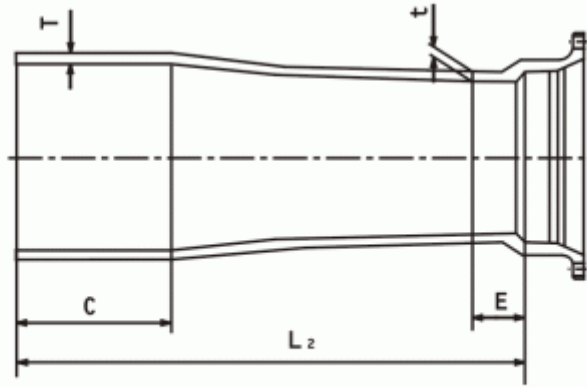




●Type K Taper



■承插式縮管 Socket



■插承式縮管 Spigot

Unit: mm

Nominal size		Thickness		Dimensions				Weight (kg)		Nominal size		Thickness		Dimensions				Weight (kg)					
D	d	T	t	A	B	C	E	L <sub>1</sub>	L <sub>2</sub>	Socket	Spigot	D	d	T	t	A	B	C	E	L <sub>1</sub>	L <sub>2</sub>	Socket	Spigot
100	75	8.5	8.5	50	200	200	50	550	550	16.2	15.4	1350	900	24.0	19.0	210	260	300	150	1270	1250	958	860
150	100	9.0	8.5	55	200	200	50	555	550	22.9	21.6	1350	1000	24.0	20.0	210	260	300	170	1270	1270	993	925
200	100	11.0	10.0	60	200	200	50	560	550	30.5	28.5	1350	1100	24.0	21.0	210	280	300	180	1290	1280	1040	991
200	150	11.0	11.0	60	200	200	55	560	555	36.1	35.0	1350	1200	24.0	22.0	210	280	300	190	1290	1290	1090	1060
250	100	12.0	10.0	70	200	200	50	670	650	41.4	38.3	1500	1000	26.0	21.0	230	260	300	170	1290	1270	1190	1070
250	150	12.0	11.0	70	200	200	55	670	655	48.1	45.8	1500	1100	26.0	21.0	230	280	300	180	1310	1280	1220	1110
250	200	12.0	11.0	70	200	200	60	670	660	53.8	52.7	1500	1200	26.0	22.0	230	280	300	190	1310	1290	1260	1180
300	100	12.5	10.0	80	200	200	50	680	650	55.0	44.7	1500	1350	26.0	24.0	230	300	300	210	1330	1310	1360	1310
300	150	12.5	11.0	80	200	200	55	680	655	61.5	52.2	1600	1000	27.5	21.0	230	260	300	170	1390	1370	1390	1230
300	200	12.5	11.0	80	200	200	60	680	660	67.1	58.8	1600	1100	27.5	22.0	230	280	300	180	1410	1380	1440	1290
300	250	12.5	12.0	80	200	200	70	680	670	75.2	68.0	1600	1200	27.5	23.0	230	280	300	190	1410	1390	1480	1350
350	150	13.0	11.0	80	200	200	55	680	655	71.0	59.2	1600	1350	27.5	24.0	230	300	300	210	1430	1410	1560	1470
350	200	13.0	11.0	80	200	200	60	680	660	76.4	65.7	1600	1500	27.5	26.0	230	300	300	210	1430	1410	1670	1620
350	250	13.0	12.0	80	200	200	70	680	670	84.3	74.7	1650	1000	28.0	21.0	230	260	300	170	1390	1370	1470	1280
350	300	13.0	12.5	80	200	200	80	680	680	91.7	89.3	1650	1100	28.0	22.0	230	280	300	180	1410	1380	1510	1340

